



RELAYS & CONTACTORS

MAGNECRAFT TIME DELAY RELAYS

821TD10H, TDRSOXP, TDRSRXP

DESCRIPTION

The **Magnecraft 821TD10H, TDRSOXP, and TDRSRXP** are adjustable time delay relays available with various timing functions. The **821TD10H** is a DIN rail mounted product offering multiple timing functions, multiple timing scales, and universal voltage input. The **TDRSOXP** and **TDRSRXP** are dual function, low cost time delay relays used with DIN/surface mount sockets.

Timing Functions

821TD10H - On-delay, Interval, Off-delay, One-shot, Repeat cycle, Pulse, On & Off-delay, Memory latch

TDRSOXP - On-delay, Interval

TDRSRXP - Off-delay, Retriggerable One-shot

FEATURES

- Adjustable timing ranges from 0.1 second to 10 days (821TD10H)
- Selectable timing functions
- Indication LEDs show power, timing (821TD10H) and relay energized
- The compact model 821TD10H DIN rail mounts without a socket
- Models TDRSOXP and TDRSRXP DIN rail or surface mount with industry standard sockets



821TD10H, TDRSOXP, TDRSRXP



SPECIFICATIONS

Coil Rating		Repeatability	0.2%
821	12 to 240 VAC/VDC (-15%, +10%), 3 VA	Reset Time	150 ms maximum
TDR	12/24/120 VAC/VDC (-20%, +10%), 5 VA	Timing Functions	On-delay, interval, Off-delay, One-shot, Repeat cycle, Pulse, On and Off-delay, Retriggerable memory latch, On-delay, interval, Off-delay, one-shot, On-delay, interval
Relay Type		LED Indication	Green Input Red Blinks = timing, on = energized
821	SPDT	Operating Temperature	-4° to 131°F (-20° to 55°C)
TDR, 822	DPDT	Mounting	
Contact Rating		821	DIN rail/surface mount
821	15A @ 240 VAC, 15A @ 24 VDC (resistive)	TDR	DIN rail/surface mount socket
TDR	12A @ 240 VAC, 12A @ 24 VDC (resistive)	Dimensions	
Input Pulse Time	50 ms minimum; 821, SRXP only	TDRSOXP w/socket	2.02" x 1.6" x 0.83" (5.1 x 4.1 x 2.1 cm)
Minimum Load	100 mA	TDRSRXP w/socket	2.05" x 2.32" x 0.97" (5.2 x 5.0 x 2.5 cm)
Transient Protection	Yes	821TD10H	3.5" x 0.69" x 2.55" (9 x 1.8 x 6.5 cm)
Contact Material	Silver alloy	TDRSOXP/TDRSRXP	1.73" x 1.42" x 2.8" (4.5 x 3.6 x 7.1 cm)
Electrical Life		Approvals	
821	70,000 operations @ full load	821	UL File E234203, RoHS
TDR	100,000 operations @ full load	TDR	UL File E43641, RoHS
Reverse Polarity	Protected	Weight	
Wire Size		821	0.1 lb (0.05 Kg)
821	14 AWG maximum	TDR	0.3 lb (0.13 Kg)
TDR	20-12 AWG with socket	Warranty	1 year
Mechanical Life	10 million operations @ no load		
Setting Error			
821, 822	±5% of mechanical setting		
TDR	±10% of mechanical setting		
Time Delay Adjust	Potentiometer, Removeable knob		
Time Range			
821, 822	0.1 sec to 10 days		
TDR	0.1 sec to 10 hours		

RELAYS & CONTACTORS



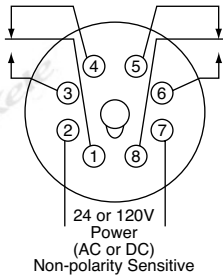
MAGNECRAFT TIME DELAY RELAYS

821TD10H, TDRSOXP, TDRSRXP

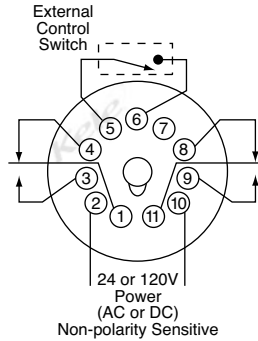
RELAYS & CONTACTORS

18

WIRING

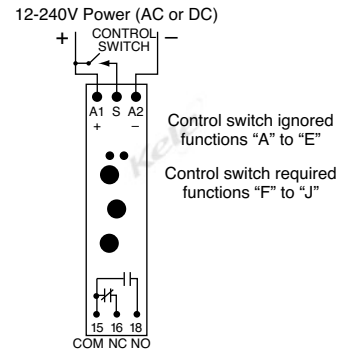


TDRSOXP



TDRSRXP

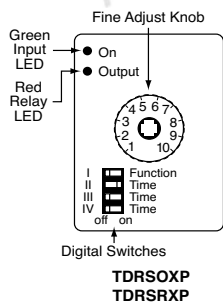
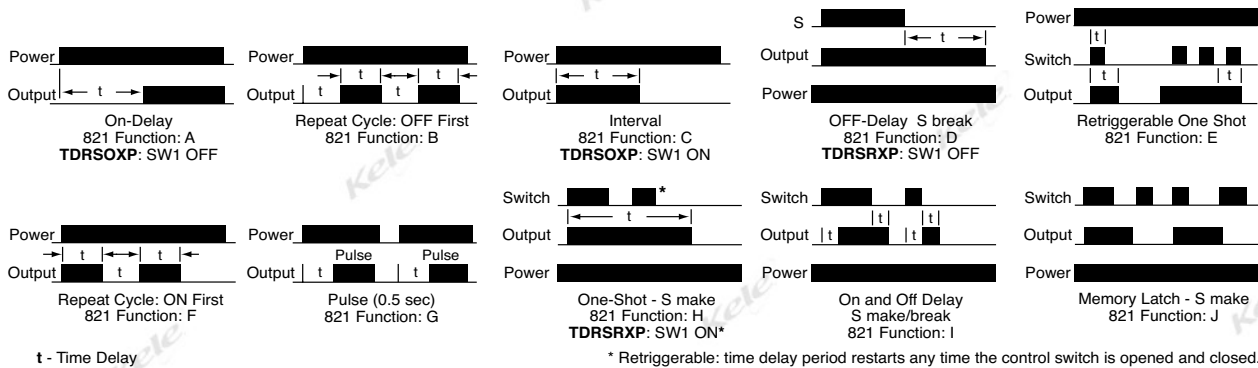
Use shielded wire for external trigger.
Dry switch only.



821TD10H

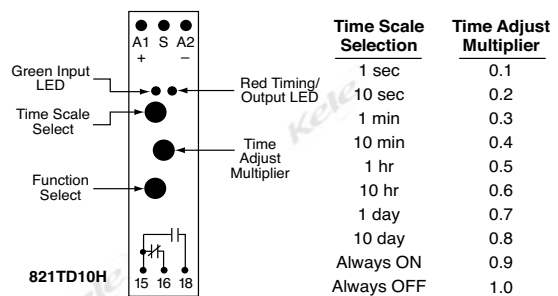
Use shielded wire for external trigger.
Dry switch only.

OPERATION



Time Range	Digital Switch Position		
	II	III	IV
0.1sec-1sec	OFF	OFF	OFF
1sec-10sec	OFF	OFF	ON
10sec-100sec	OFF	ON	OFF
0.1min-1min	OFF	ON	ON
1min-10min	ON	OFF	OFF
10min-100min	ON	OFF	ON
0.1hr-1hr	ON	ON	OFF
1hr-10hr	ON	ON	ON

TDRSOXP/TDRSRXP
Time Range Selection



ORDERING INFORMATION

MODEL
821TD10H-UNI
TDRSOXP-120
TDRSOXP-24
TDRSRXP-120
TDRSRXP-24
70-464-1
70-465-1

DESCRIPTION
 Time-delay relay, SPDT, multifunction, 12-240 VAC/VDC, 0.1 sec to 10 days
 Time-delay relay, on-delay/interval, 120 VAC/VDC, 0.1 sec to 10 hours
 Time-delay relay, on-delay/interval, 24 VAC/VDC, 0.1 sec to 10 hours
 Time-delay relay, off-delay/single-shot, 120 VAC/VDC, 0.1 sec to 10 hours
 Time-delay relay, off-delay/single-shot, 24 VAC/VDC, 0.1 sec to 10 hours
 Relay socket, eight-pin, use with TDRSOXP time delay relay
 Relay socket, 11-pin, use with TDRSRXP time delay relay